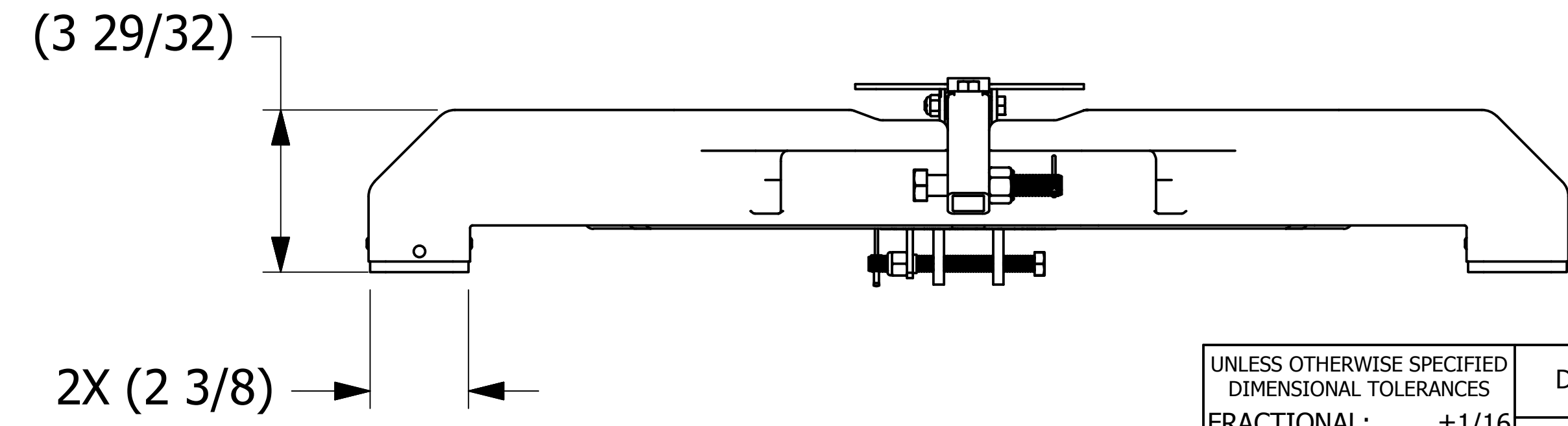
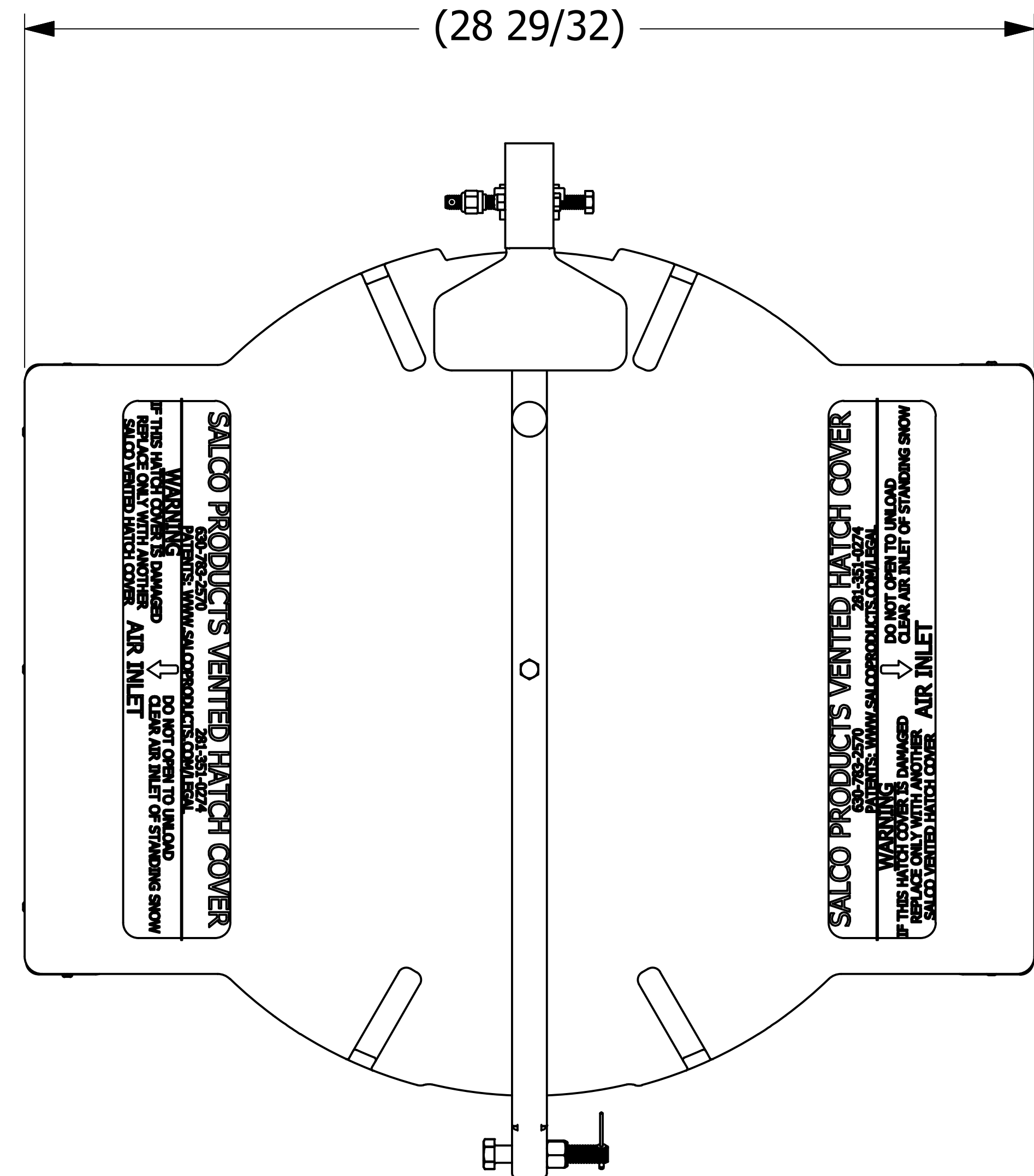
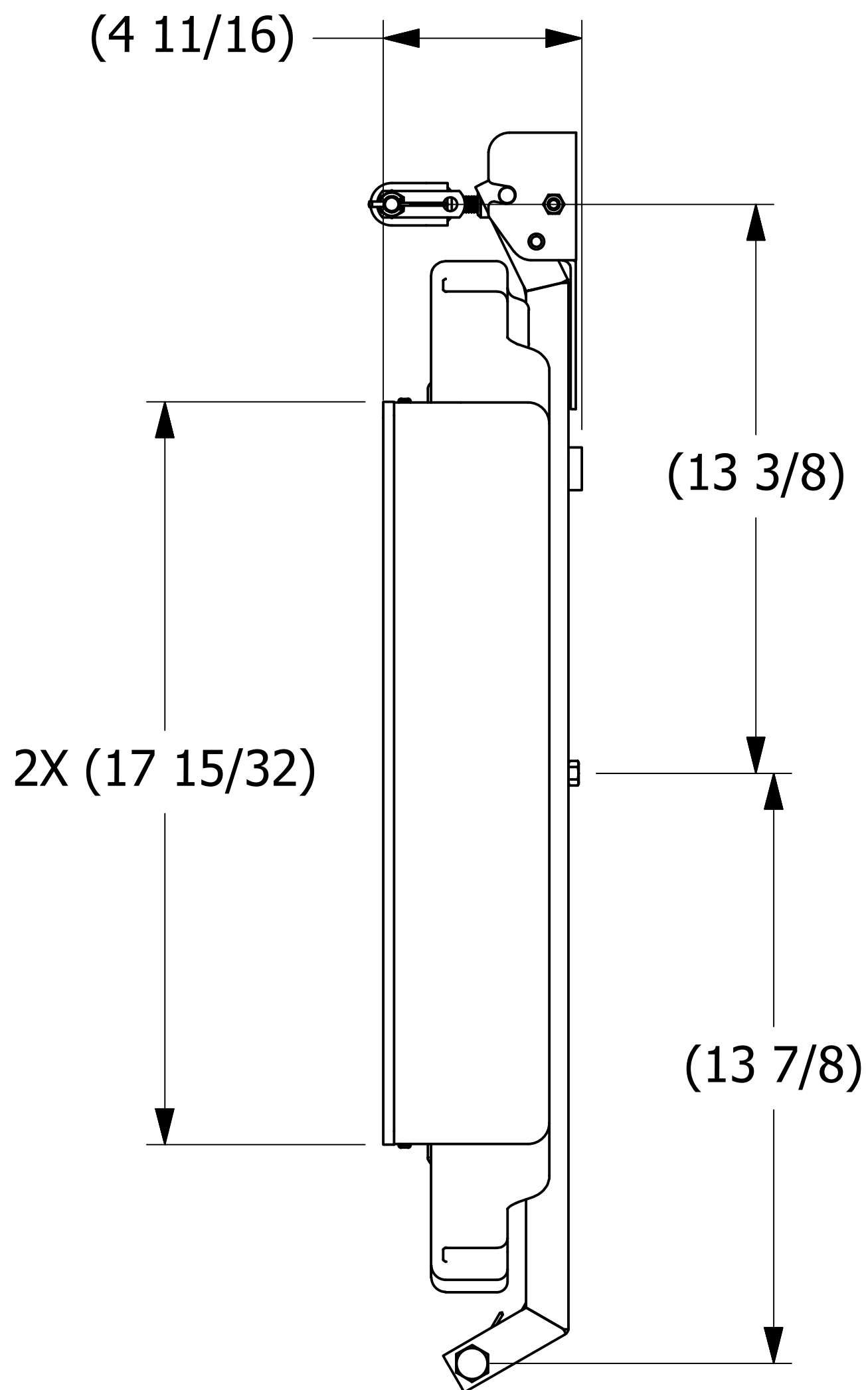


SALES DRAWING SALES DRAWING

SALES DRAWING SALES DRAWING

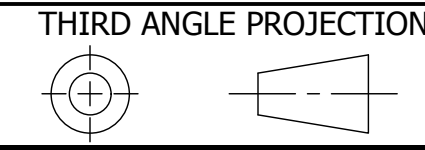


NOTE:
RIVETS ARE TO BE SHIPPED LOOSE.

SALCO PRODUCTS VENTED HATCH COVER
 20" VENTED HATCH COVER
 20-351-0274
 630-765-2700
 WWW.SALCOPRODUCTS.COM/LEGAL
WARNING:
 IF THIS HATCH COVER IS DAMAGED
 REPLACE ONLY WITH ANOTHER SALCO VENTED HATCH COVER.
 DO NOT OPEN TO UNLOAD
 CLEAR AIR INLET OF STANDING SNOW.
 AIR INLET

SALCO PRODUCTS VENTED HATCH COVER
 20" VENTED HATCH COVER
 20-351-0274
 630-765-2700
 WWW.SALCOPRODUCTS.COM/LEGAL
WARNING:
 IF THIS HATCH COVER IS DAMAGED
 REPLACE ONLY WITH ANOTHER SALCO VENTED HATCH COVER.
 DO NOT OPEN TO UNLOAD
 CLEAR AIR INLET OF STANDING SNOW.
 AIR INLET

UNLESS OTHERWISE SPECIFIED
 DIMENSIONAL TOLERANCES
 FRACTIONAL: ±1/16
 X.XX: ±.03
 X.XXX: ±.015
 ANGULAR: ±1°
 DEBURR ALL SHARP EDGES.
 ALL MACHINED SURFACES TO
 HAVE A 125 RMS FINISH
 UNLESS NOTED OTHERWISE.



DRAWN BY:	WEB
CHECKED BY:	CHL
PROTOTYPE BY:	WEB
PROTOTYPE DATE:	12/18/2014
APPROVED FOR PRODUCTION BY:	WEB
PRODUCTION DATE:	6/8/2015

B	WEB	2-22-18	ADDED NOTE 2, SORTED BOM
A	WEB	6-8-15	RELEASED FOR PRODUCTION
REV	BY	DATE	DESCRIPTION
SALCO PRODUCTS, INC.			
PART NAME: VENTED HATCH COVER 20"			
MATERIAL: HDPE/SS			
PROJECT #:	R141217	SHEET #:	1 OF 1
DRAWING #:	D40501	PART #:	VHCS98TREB
SCALE: 1:3			